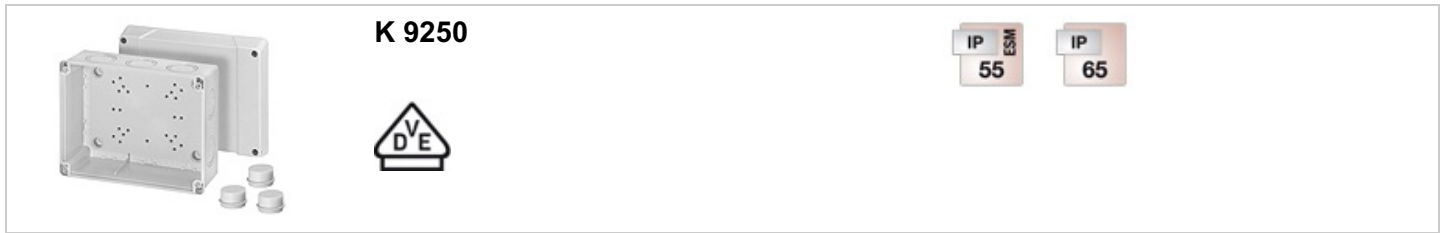


With or without terminals

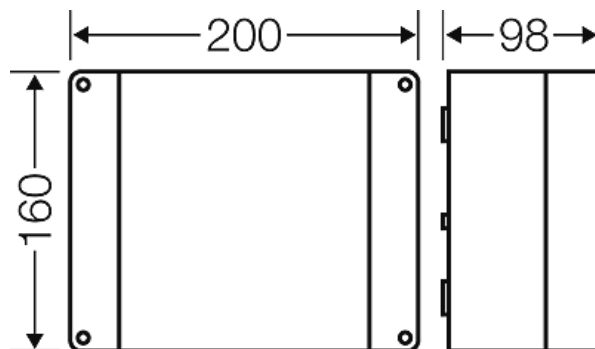


- Replaced by DK 2500 G from 31.12.2017
- without terminals
- included cable entry: 3 x ESM 40, sealing range Ø 17-30 mm
- for normal environment and protected outdoor
- colour: grey, RAL 7035

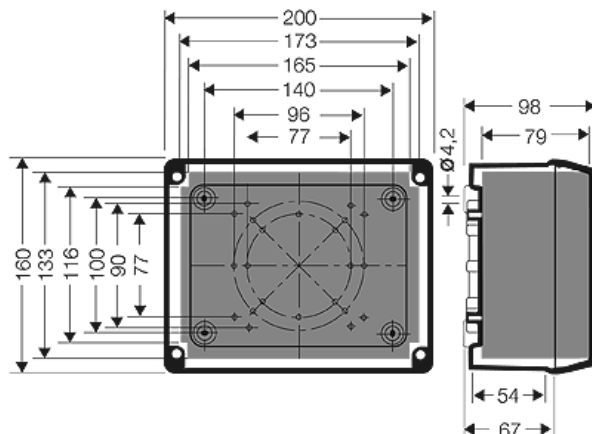
| | |
|-------------------------|-------------------------------------|
| material | PS (Polystyrene) |
| degree of protection | IP 55 (ESM) |
| degree of protection | (see cable entry systems LES) IP 65 |
| mounting width | 173 mm |
| mounting height | 133 mm |
| max. installation depth | 79 mm |
| width | 200 mm |
| height | 160 mm |
| depth | 98 mm |
| weight | 0,455 kg |
| in accordance with | IEC 60670-22 |

Drawings

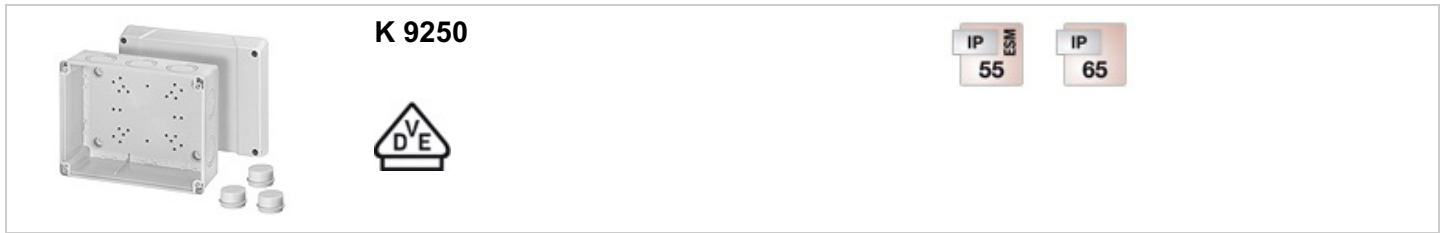
Dimension drawing



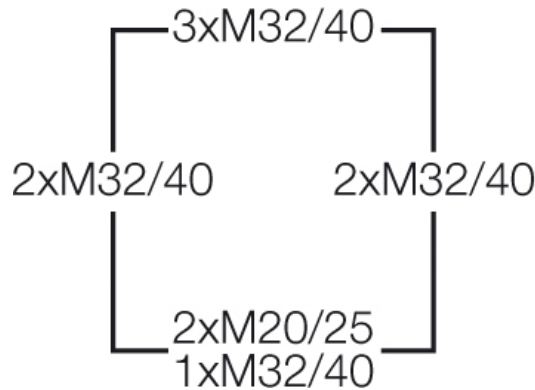
Detail mass



With or without terminals



Box walls



Operating and ambient conditions

| | |
|--|--|
| Application area | Suitable for indoor installation and outdoor installation, protected against weather influences |
| Resistant to occasional cleaning procedures (direct jet) | Resistant to occasional cleaning procedures (direct jet) with high-pressure cleaner without additives, water pressure: max. 100 bar, water temperature: max. 80° C, distance => 0,15 m, in accordance with the requirements IP 69, enclosure and cable glands at least IP 65 |
| Ambient temperature | Maximum value + 40 °C Minimum value - 25 °C |
| Fire protection in the event of internal faults | Demands placed on electrical devices from standards and laws Minimum requirements - Glow wire test in accordance with IEC 60695-2-11: - 650°C for boxes and cable glands - 850°C for parts of insulating material necessary to retain current carrying parts in position |
| Burning behaviour | Glow wire test IEC 60695-2-11: 750 °C UL Subject 94: V-2 flame-retardant self-extinguishing |
| Degree of protection against mechanical load | IK07 (2 Joule) |
| Toxic behaviour | halogen-free silicone-free "halogen-free" in accordance with the examination of the cables and insulated wires - corrosiveness of fumes - as per IEC 60754-2 |

Note: For material properties see technical data.